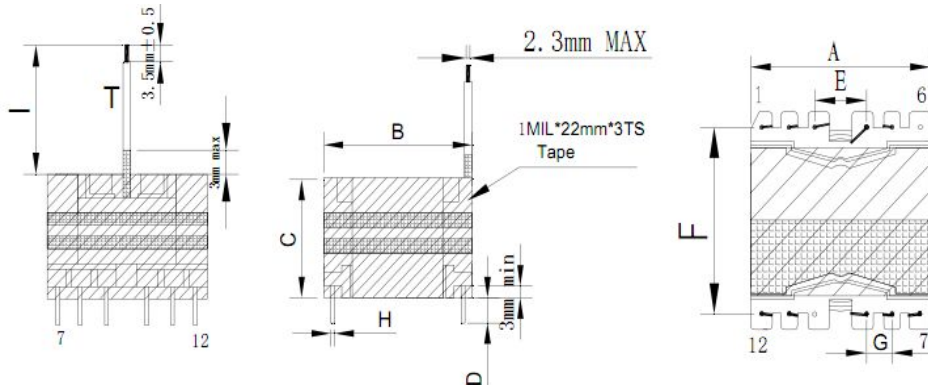


CUSTOMER TERMINAL	ROHS	Lead(Pb)-free
	YES	YES

1. Mechanical Dimensions



A	35.0	MAX
B	35.0	MAX
C	23.5	MAX
D	3.5	±0.5
E	7.6	±0.3
F	30.0	±0.4
G	5.0	±0.3
H	0.80	±0.1
I	43.0	±2.0

3. Material List

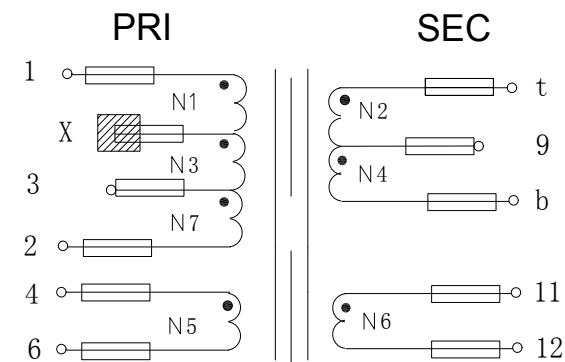
Core:FW44 PQ3220

Bobbin:FWB3201-1(6+6PIN)

Wire:2UEW TIW

Operating Temperature: -30 to 115 °C

2. Schematic Diagram



4. Electrical Specification

Inductance : $L(1-2): 1.1\text{mH} \pm 5\%$ 30KHZ , 1.0V

Leakage Inductance : 20uH MAX 30KHZ , 1.0V

DCR : (1-2)=0.4Ω MAX (B-T)=0.63Ω MAX

Hi-Pot:P-S: AC 60Hz 4000V 2mA 3S

S-CORE: AC 60Hz 4000V 2mA 3S

REV.	DATE	<p>Convention Placement</p>	DRW.	Drawing Title:	Part No:		
0	00/00		CHK.			TRANSFORMER	FWPTPQ3220V112J-1
			APP.			Customer P/N	Specification Sheet 1 of 1
ROHS		www.ferriwo.com					